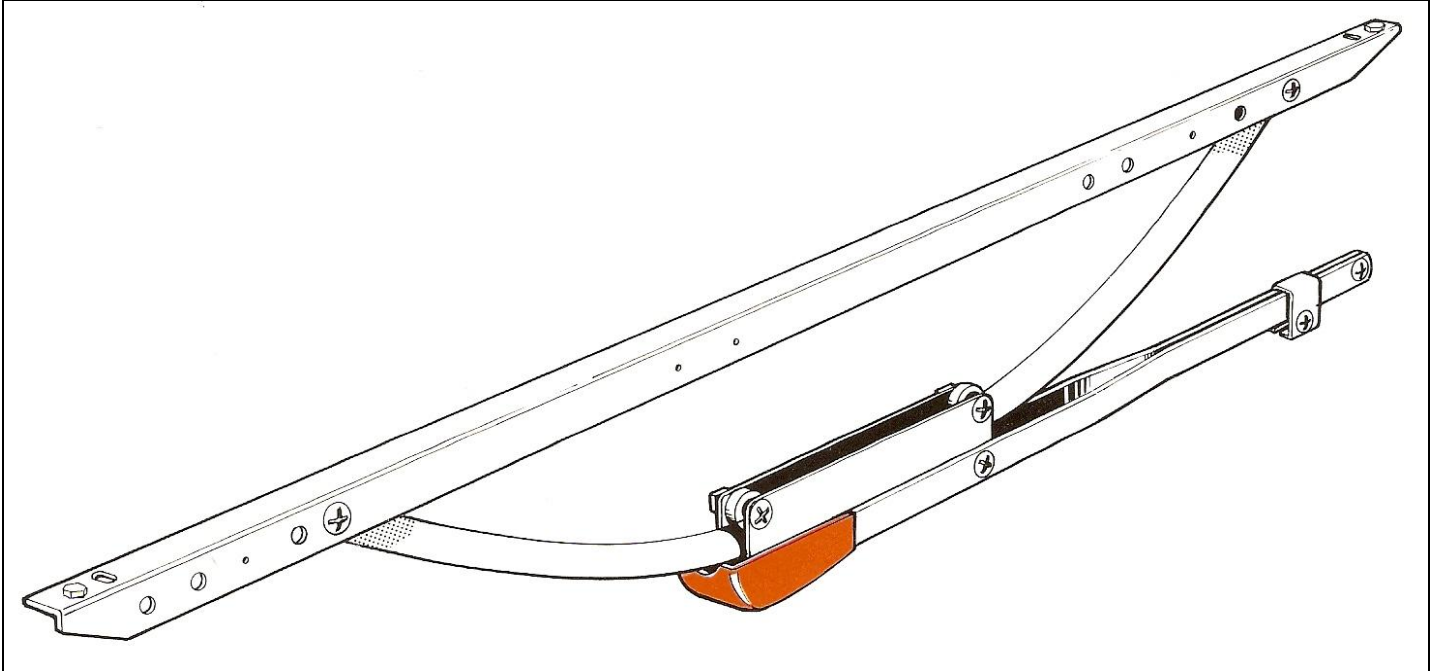


Bow Arm Converter

For Canopy Type Doors



- The Phantom Bow Arm Converter fits all types of canopy doors.
- Enables canopy doors to be fitted with a garage door operator.
- Easy fitting.
- Neat and robust.
- Smooth operation.



LUKES ENGINEERING CO LTD
79 PAYNESFIELD ROAD
TATSFIELD • KENT • TN16 2BQ
Tel:01959 540 944 • Fax:01959 540 955
E-mail: lukesadmin@lukeseng.co.uk
Website: www.lukeseng.com

General Information:

The Phantom Bow Arm Converter can be easily attached to canopy type garage doors, where the door projects from the garage in the open position. This enables the use of a garage door operator, which would otherwise be impossible. The unit is engineered for maximum strength and security, making it suitable for even the heaviest double canopy doors.

Fitting Instructions:

Fit Converter to Door

- Remove the bolts and nuts that are attached to the converter.
- Place vertically, as close to centre line of door as possible and mark two holes.
- Drill with 6.4mm drill.
- Fasten to the door using the bolts.
- Additional support may be required on some doors.

Warning: Keep fingers clear of trolley at all times.

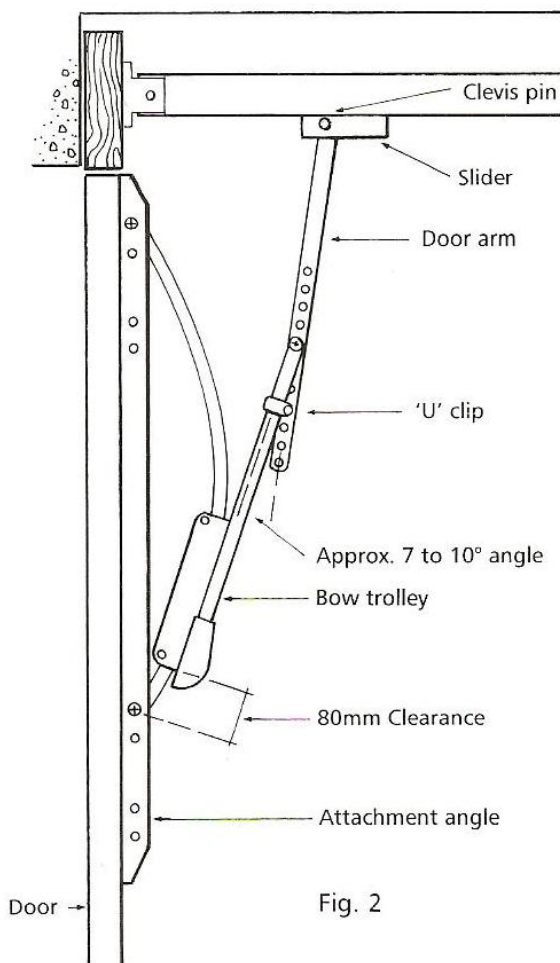


Fig. 2

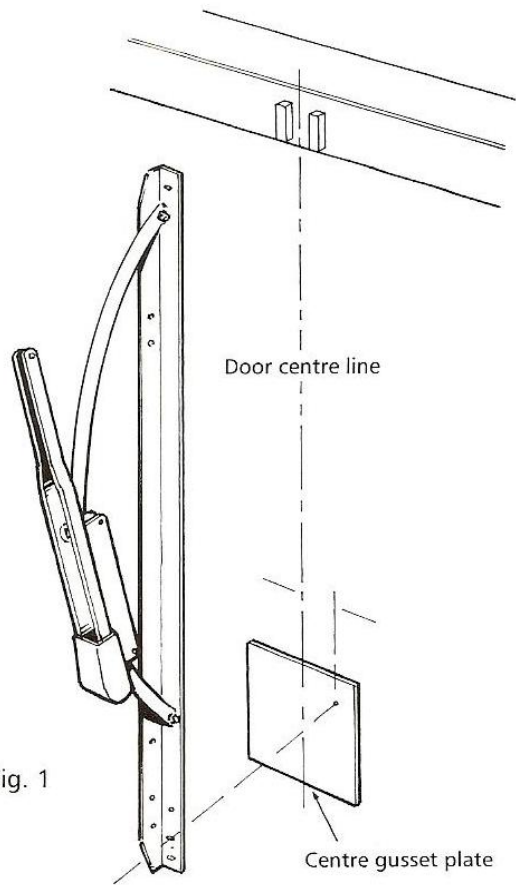


Fig. 1

Connect Converter to Operator

- Lubricate the bow with grease and make sure the trolley runs freely.
- With the door in the closed position attach the door arm supplied, as shown in Fig. 2. Connect the arm to the trolley using spacers either side of the arm.
- Remove bolts and nuts from bow trolley and 'U' clip. Lift the trolley sufficiently (80mm clearance) and attach trolley arm to door arm through the nearest corresponding hole using bolt and nut supplied. Align the two arms to the nearest available hole in the door arm.
- Operate the door manually to check smooth movement of the mechanism.